

This Page Is Inserted by IFW Operations
and is not a part of the Official Record

BEST AVAILABLE IMAGES

Defective images within this document are accurate representation of the original documents submitted by the applicant.

Defects in the images may include (but are not limited to):

- BLACK BORDERS
- TEXT CUT OFF AT TOP, BOTTOM OR SIDES
- FADED TEXT
- ILLEGIBLE TEXT
- SKEWED/SLANTED IMAGES
- COLORED PHOTOS
- BLACK OR VERY BLACK AND WHITE DARK PHOTOS
- GRAY SCALE DOCUMENTS

IMAGES ARE BEST AVAILABLE COPY

As rescanning documents *will not* correct images, please do not report the images to the Image Problem Mailbox.



Europäisches Patentamt
European Patent Office
Office européen des brevets



Publication number: **0 508 473 A3**

EUROPEAN PATENT APPLICATION

Application number: 92106284.0

Int. Cl.⁵: **A61F 2/06** A61M 25/10

Date of filing: 10.04.92

Priority: 11.04.91 US 684018

Date of publication of application:
14.10.92 Bulletin 92/42

Designated Contracting States:
BE CH DE FR GB IT LI NL

Date of deferred publication of the search report:
07.04.93 Bulletin 93/14

Applicant: **ENDOVASCULAR TECHNOLOGIES, INC.**
1360 O'Brien Drive
Menlo Park, California 94025-1436(US)

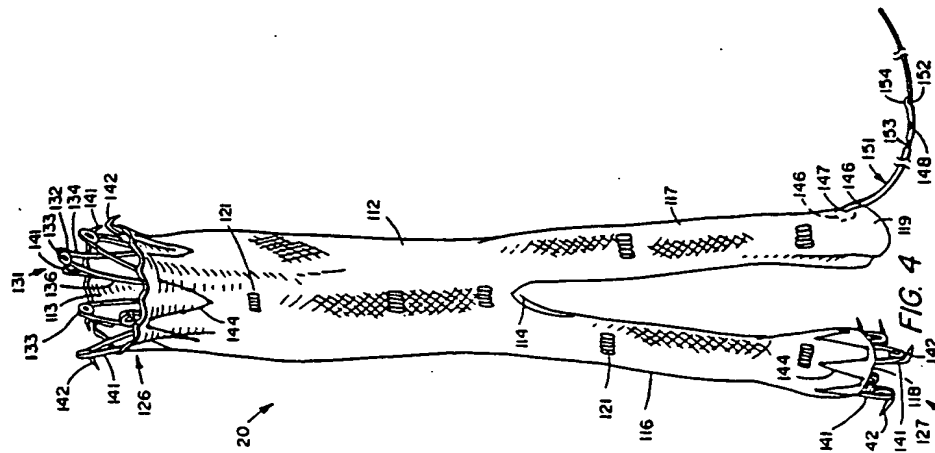
Inventor: **Piplani, Alec A.**
141 Del Medio Avenue, No. 219,
Mountainview
California 94040(US)
Inventor: **Quiachon, Dinah B.**
1872 Luby Drive
San Jose, California 95132(US)
Inventor: **Sterman, Wesley D.**
2121 Sacramento Street, No. 604 San
Francisco
California 94109(US)

Representative: **Ballie, Iain Cameron et al**
c/o Ladas & Parry, Altheimer Eck 2
W-8000 München 2 (DE)

Endovascular graft having bifurcation and apparatus and method for deploying the same.

Graft (20) having a bifurcation (114) for repairing an aneurysm in the vicinity of an aortic bifurcation (221) in a patient comprising a main tubular body (112) and first (116) and second (117) tubular legs joined to said main body (112) in a bifurcation (114). The main body (112) and the legs (116,117) are formed of a flexible surgically implantable material. The main body (112) and each of the first (116) and

second (117) legs having an opening (113) therein in communication with the other openings (118,119). Expandable spring attachments (126) are secured to the main body (112) adjacent the opening (113) in the main body (112). An additional expandable spring attachment (127) is secured to one of said legs (116) adjacent the opening (118) in said one leg (116).



X

EP 0 508 473 A3



European Patent
Office

PARTIAL EUROPEAN SEARCH REPORT

which under Rule 45 of the European Patent Convention shall be considered, for the purposes of subsequent proceedings, as the European search report

Application Number

EP 92 10 6284

DOCUMENTS CONSIDERED TO BE RELEVANT			
Category	Citation of document with indication of relevant passages, where appropriate,	Relevant to claim	CLASSIFICATION OF THE APPLICATION (Int. Cl. 5)
D,A	US-A-4 617 932 (KORNBERG) * claims; figures * ---	1, 19	A61F2/06 A61M25/10
P,D, A	EP-A-0 466 518 (HARRISON MEDICAL TECHNOLOGIES, INC.) * the whole document * ---	1, 2, 6, 8, 9, 17, 19	
A	WO-A-8 908 433 (LAZARUS) * claims 1, 14; figures * ---	1, 2, 8, 9, 17, 19	
A	US-A-4 994 071 (MACGREGOR) * claim 1; figures * ---	1	
A	US-A-4 787 899 (LAZARUS) * claim 1; figures * ---	1	
P,A	EP-A-0 461 791 (BARONE ET AL.) * claims 1, 7, 8; figures 6-12 * -----	1	
			TECHNICAL FIELDS SEARCHED (Int. Cl. 5)
			A61F A61M
INCOMPLETE SEARCH			
<p>The Search Division considers that the present European patent application does not comply with the provisions of the European Patent Convention to such an extent that it is not possible to carry out a meaningful search into the state of the art on the basis of some of the claims</p> <p>Claims searched completely: 1-25 Claims searched incompletely: _____ Claims not searched: 26-32 Reason for the limitation of the search: Article 52(4)</p>			
Place of search	Date of completion of the search	Examiner	
BERLIN	04 JANUARY 1993	KANAL P.	
CATEGORY OF CITED DOCUMENTS		T : theory or principle underlying the invention E : earlier patent document, but published on, or after the filing date D : document cited in the application L : document cited for other reasons ----- & : member of the same patent family, corresponding document	
X : particularly relevant if taken alone Y : particularly relevant if combined with another document of the same category A : technological background O : non-written disclosure P : intermediate document			

EPO FORM 1503 (01/92) (P01ED7)

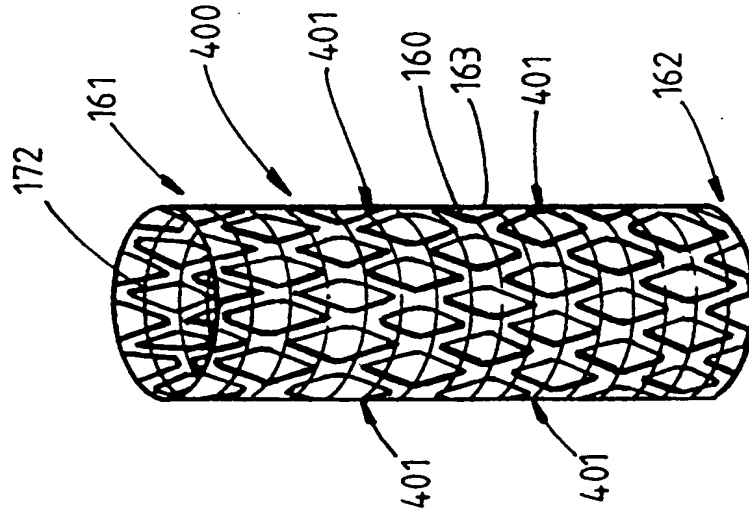


Fig. 22

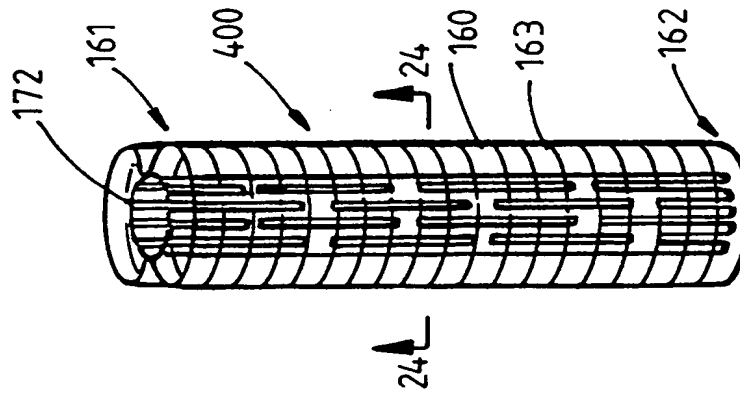


Fig. 23

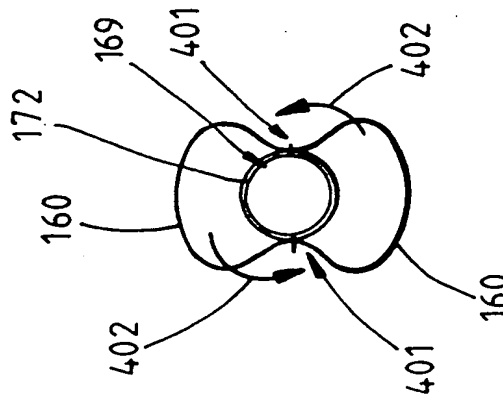


Fig. 24

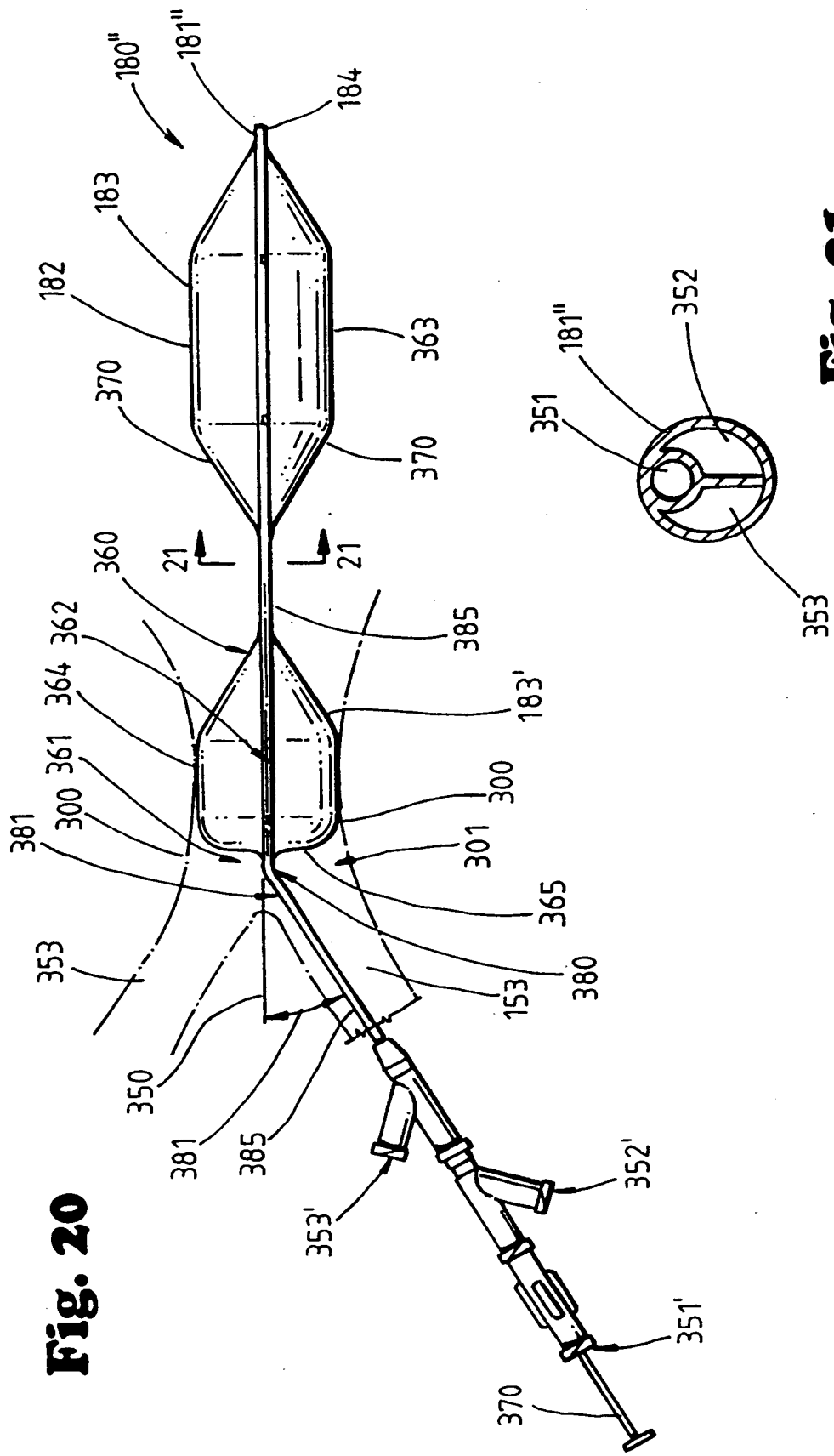


Fig. 20

Fig. 21

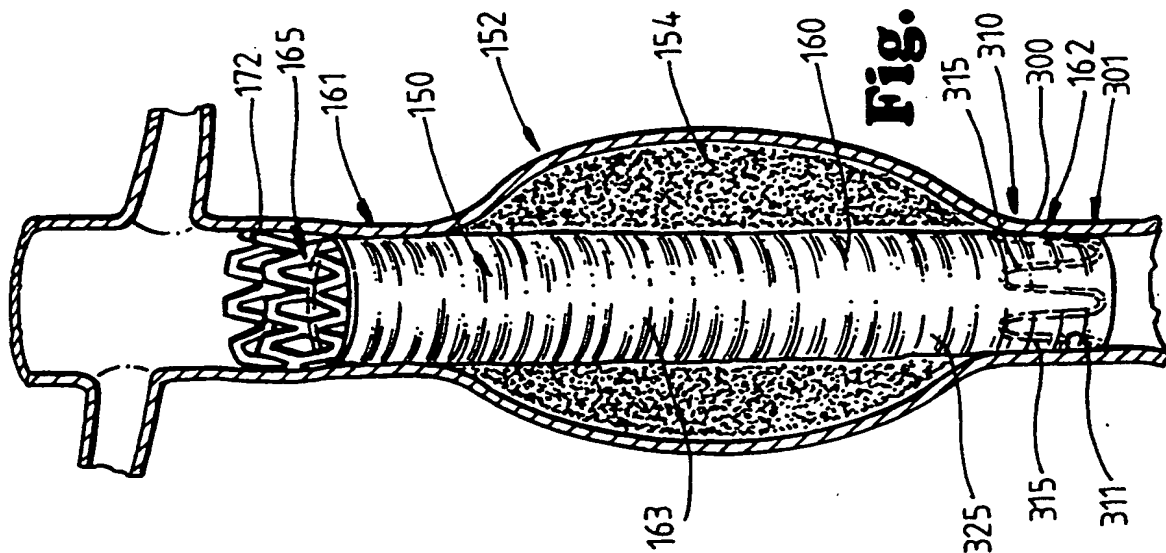


Fig. 18

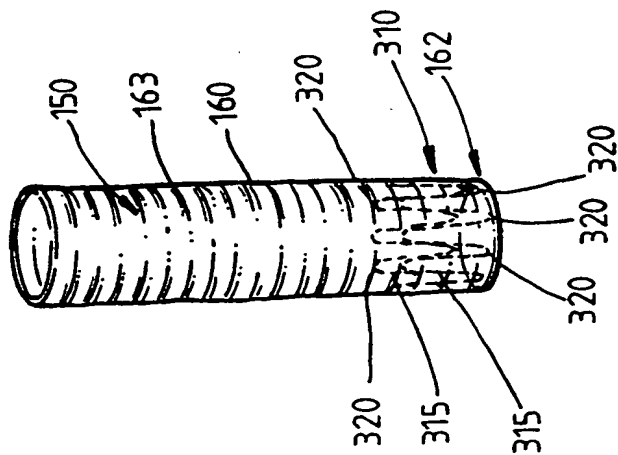


Fig. 19

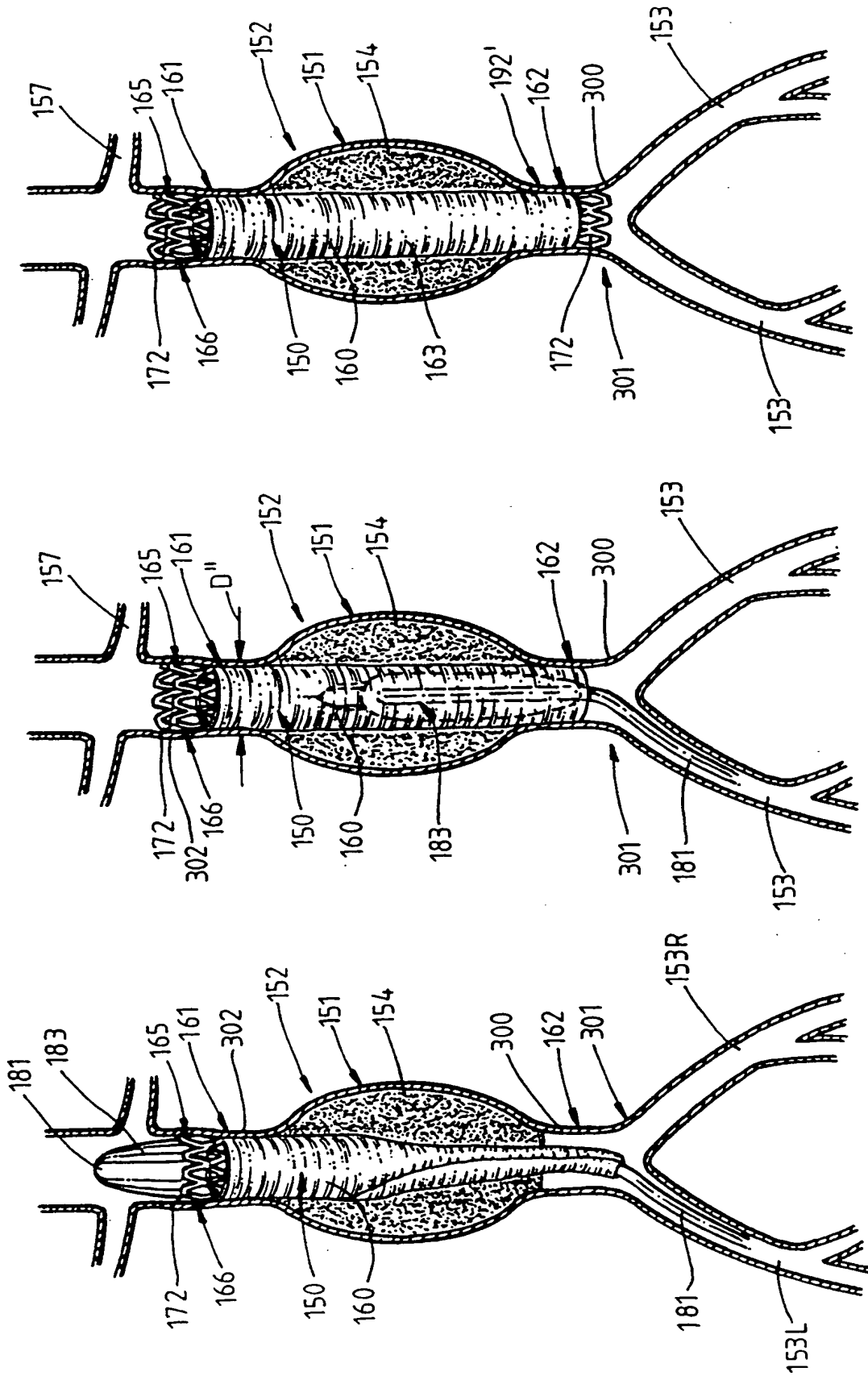


Fig. 17

Fig. 16

Fig. 15

Fig. 13

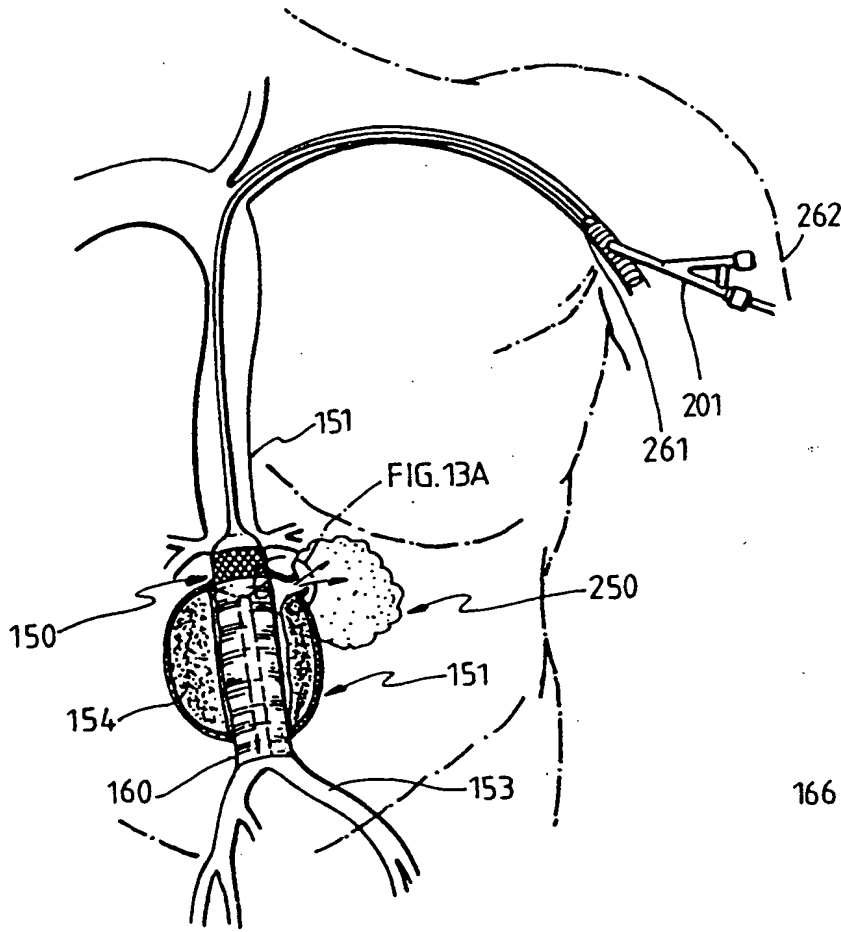


Fig. 14

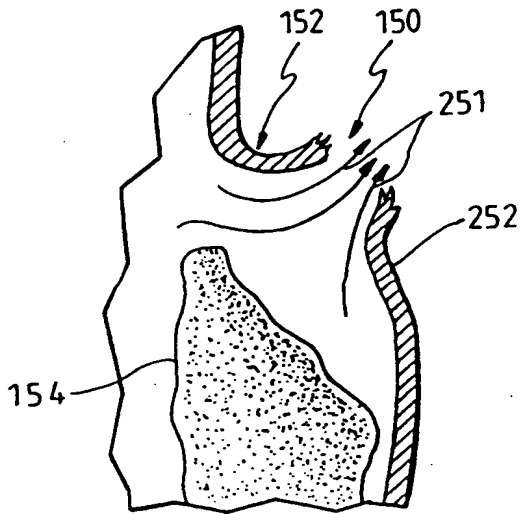
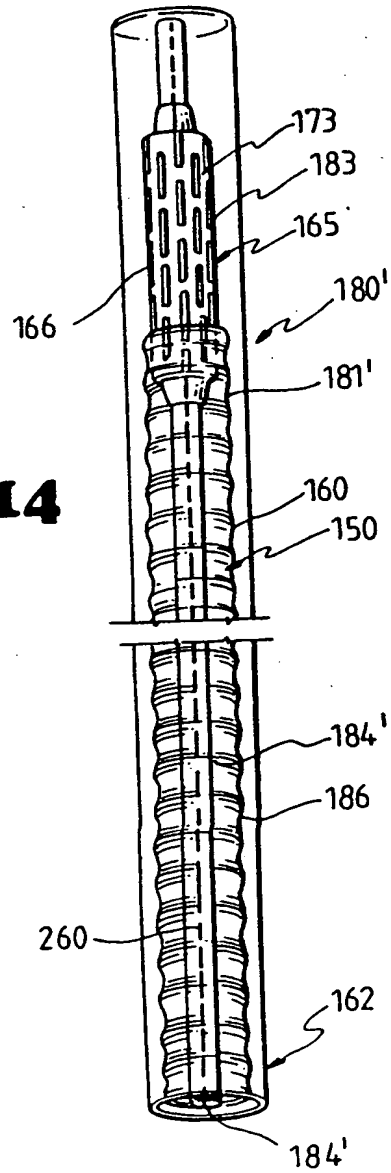


Fig. 13A

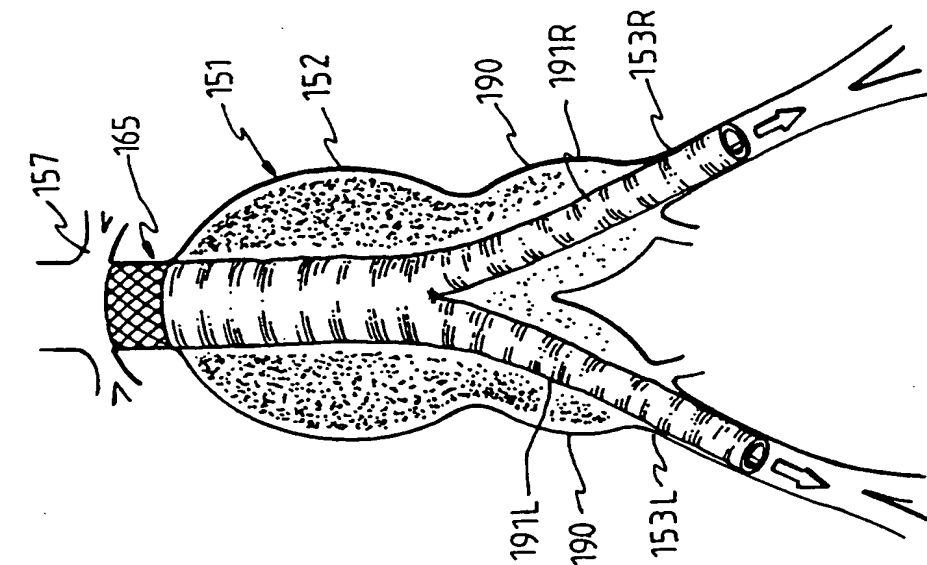


Fig. 11

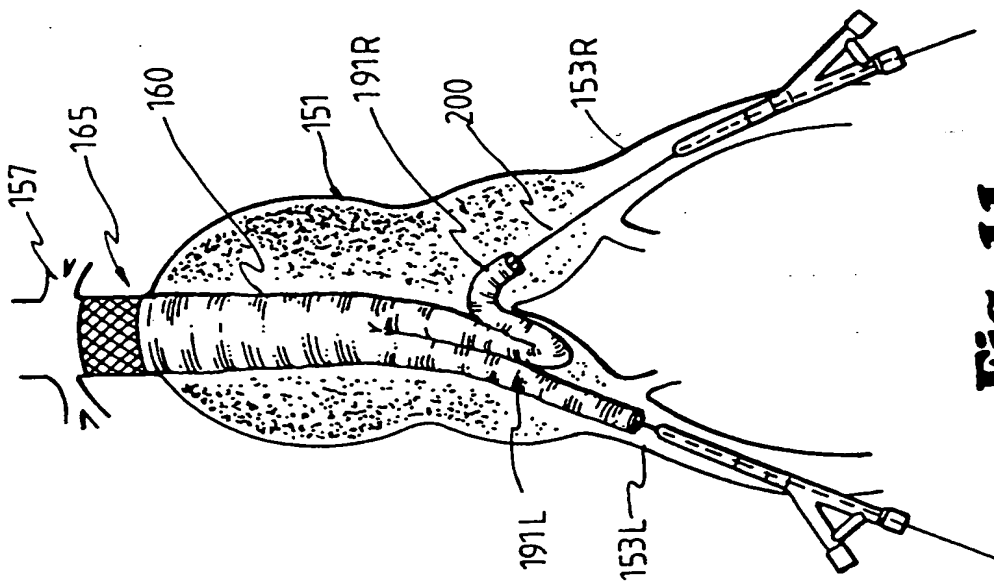


Fig. 12

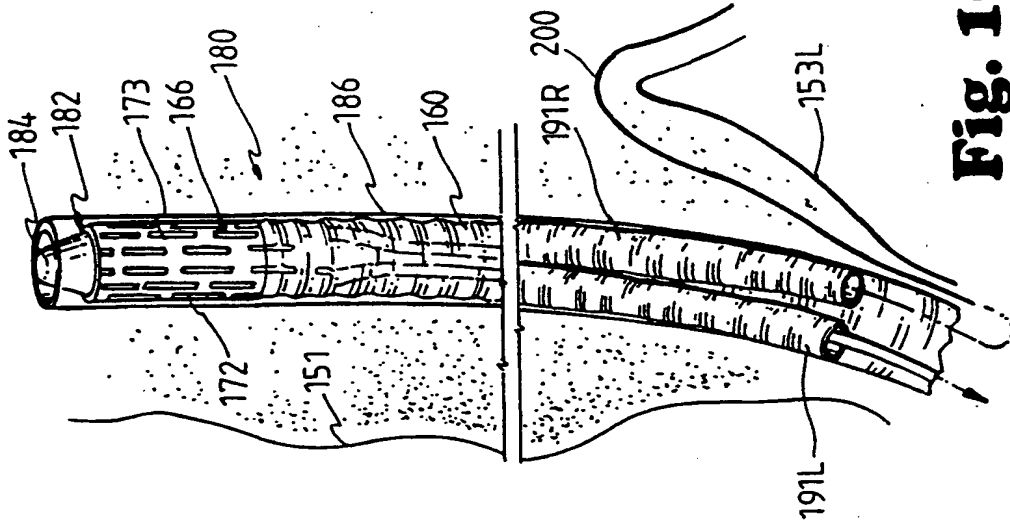


Fig. 10

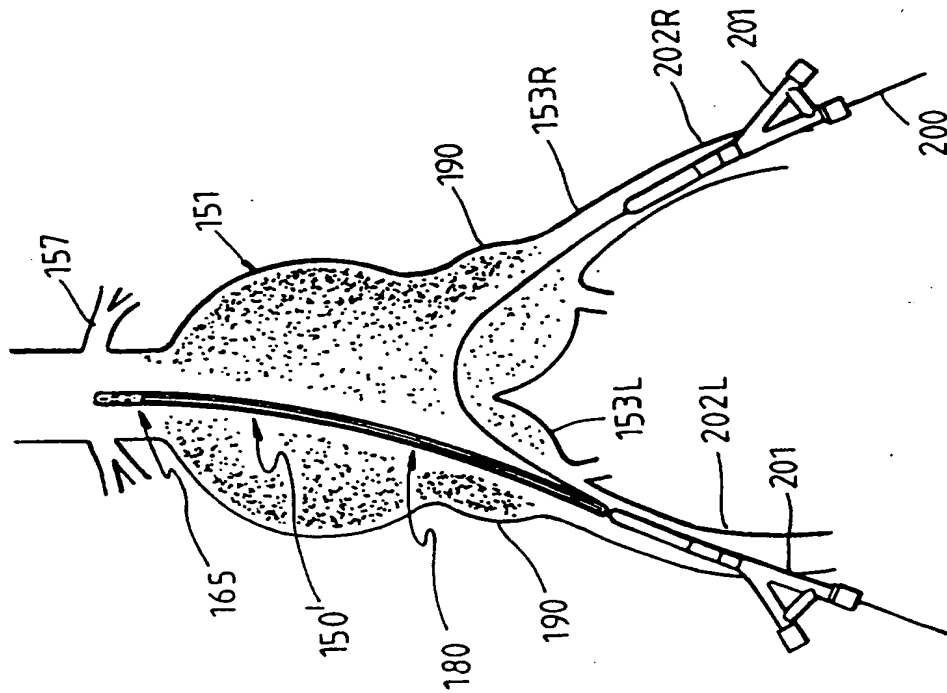
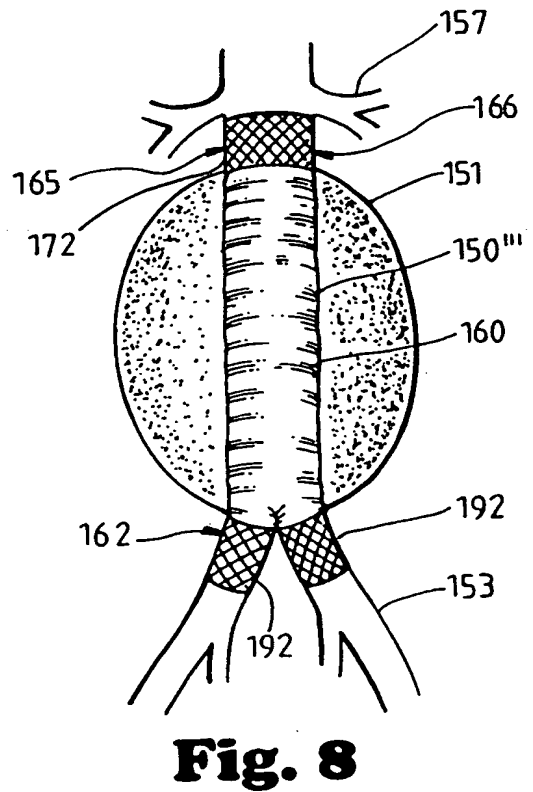
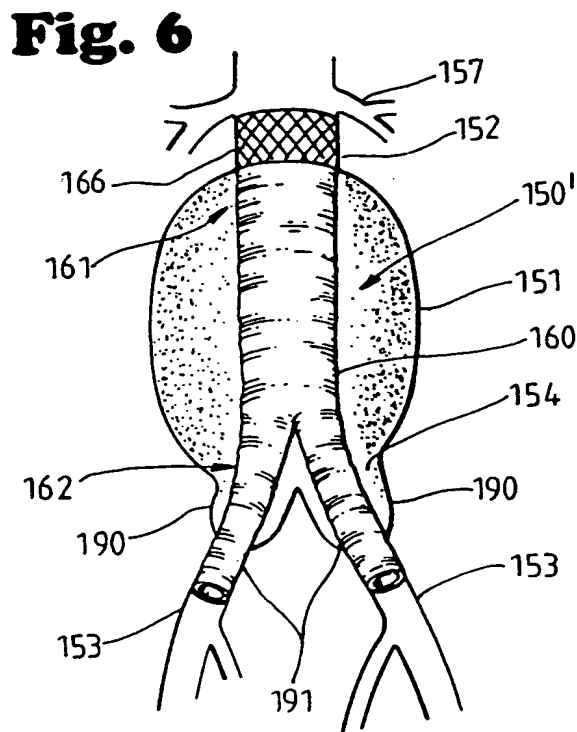
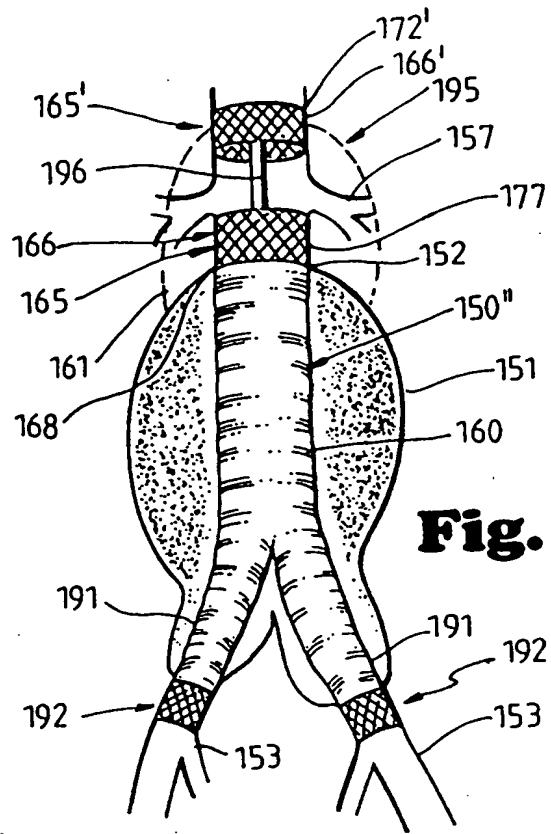
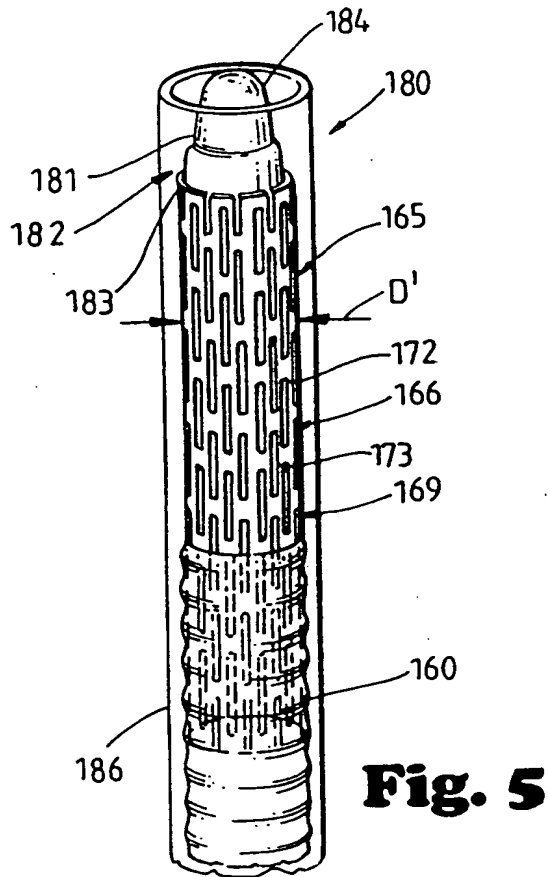


Fig. 9



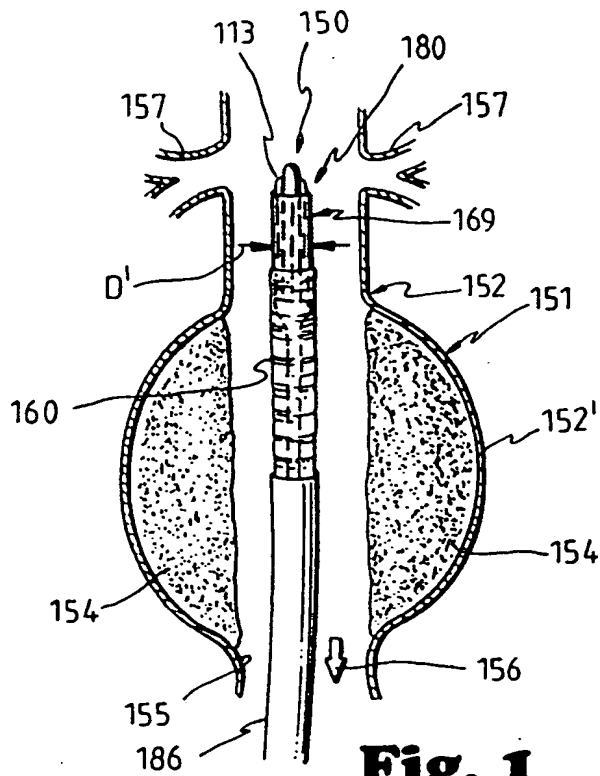


Fig. 1

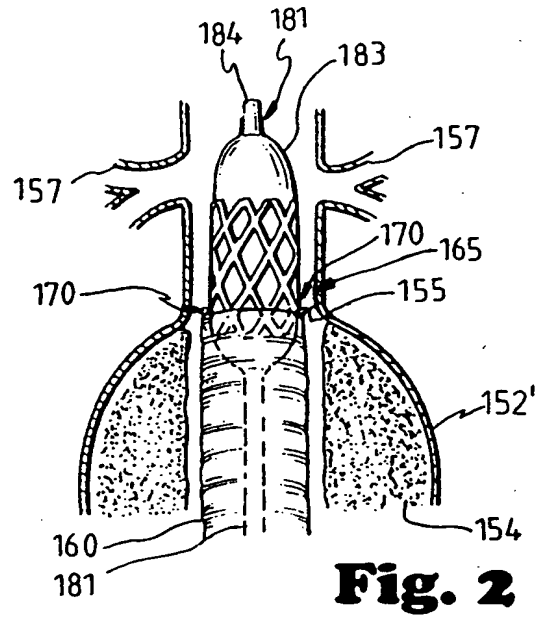


Fig. 2

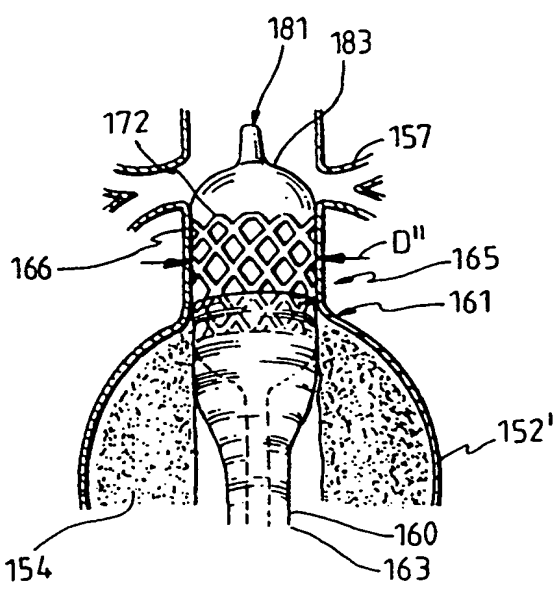


Fig. 3

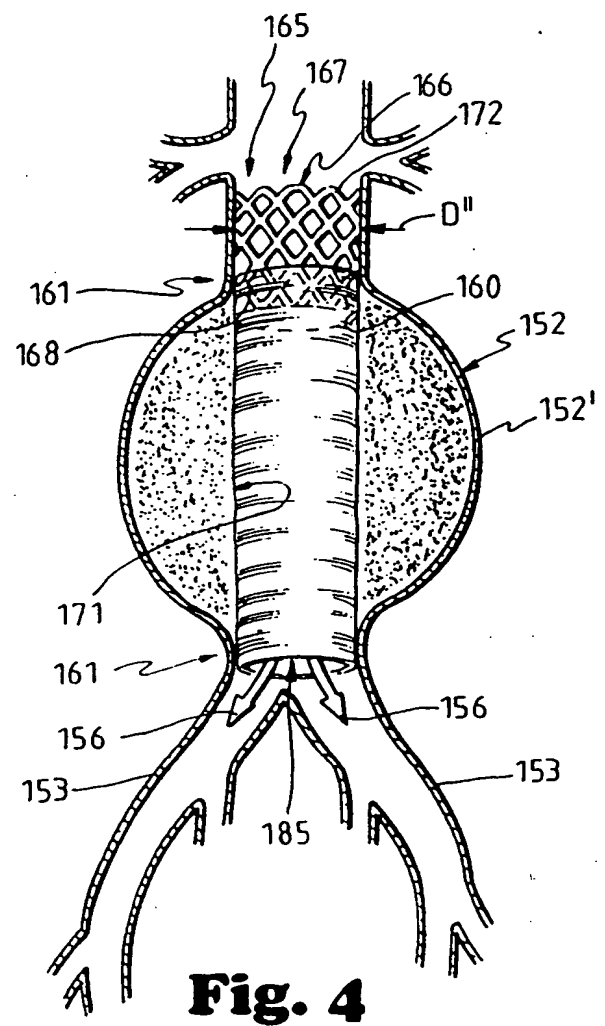


Fig. 4